

Factory Review



22 YEARS EXPERIENCE  
WITH HIGH QUALITY  
ASSURANCE

**Hiland**  
浙江海兰科技有限公司

# HILAND *Catalogue 2026-2027* TECHNOLOGY

*Sliding gate opener / Swing gate opener  
Garage door opener / Industrial door opener  
Tubular motor receiver  
Transmitter / Receiver  
Photocell / Flash lamp / Keypad*



**Hiland**  
HILAND TECHNOLOGY  
ZHEJIANG HILAND TECHNOLOGY CO., LTD.

**Factory :** NO. 68, BEIZHUANG ROAD, DIPU STREET, ANJI COUNTY, HUZHOU CITY, ZHEJIANG PROVINCE, CHINA 313000

**Headquarters :** ROOM 803, BUILDING 1, XIGANG DEVELOPMENT CENTER, SANDUN TOWN, WESTLAKE DISTRICT, HANGZHOU, ZHEJIANG, CHINA 310030

**浙江海兰科技有限公司**

工厂地址: 浙江省湖州市安吉县递铺街道北庄路68号  
总部地址: 杭州市西湖区三墩镇西港发展中心1幢803室

**Tel:** 86-571-81958375, 81958376

**Fax:** 86-571- 81958133

**E-mail:** info@hiland.cc

**Web:** www.hiland.cc



www.hiland.cc

# HILAND TECHNOLOGY 22 YEARS EXPERIENCE WITH HIGH QUALITY ASSURANCE

Hiland Technology Co., Ltd was founded in March 2004, is a professional designer and qualified manufacturer for automatic door and gate control systems and opener kits. Our main products are gate transmitter, tubular motor receiver, gate universal receiver, sliding gate opener, swing gate opener, garage door opener, industrial door opener, gate flash lamp, gate photocell and door wireless keypad.

Our factory building covers an area of 20,000 square meters, has 100,000-class clean workshop includes SAMSUNG, JUKI SMT lines, DIP assembly lines, AOI tester, ICT tester, FCT tester to guarantee control board with high quality.

Hiland gained management certificates ISO9001:2015 since 2006. Our products approved by CE (EMC, LVD, RF), C-TICK, MD(EN12978), RoHS, FCC, etc. Hiland focuses on the core software and hardware R&D and manufacturing. Our products have obtained design patents, whose unique appearance and strong function can meet personalized needs.

OEM and ODM order is accepted.

Relying on strong technology R&D capabilities, perfect product quality control system, accurate information feedback and comprehensive after-sales service, Hiland has been a preferred partner in the market of customers from all over the world.

Continuous improvement and customer demand-oriented are our market principle.

High standard steady quality is our product principle.

Hiland warmly welcome you to visit and join us!

海兰科技成立于 2004 年 3 月，是一家集研发和生产门窗自动化控制系统为一体的专业制造商。公司产品包括无线遥控器、管状电机控制器、接收器、平移门控制板、平移门机、平开门机、车库门机、工业门机，红外对射，闪光灯和无线密码键盘。

公司拥有两万平方米独立厂房，十万等级洁净车间，包括 SAMSUNG、JUKI 贴片线和 SUNEAST 无铅插件线以及 AOI,ICT,FCT 等各种测试仪器可以确保控制板制造的精准高效。

公司获得了 ISO 9001:2015 质量认证，产品通过 CE (EMC、LVD、RF)、C-TICK、MD (EN12978)、RoHS、FCC 等认证。海兰科技专注于核心软硬件的研发、设计和生产、制造并已获得外观设计专利，可满足客户个性化定制需求。

同时接受 OEM 和 ODM 订单。

依托强大的技术研发能力、完善的产品质量体系、准确的信息反馈和完善的售后服务，海兰科技一直是全球客户在市场上的首选合作伙伴。

以客户需求为导向，  
不断改进是我们的市场准则  
高标准稳定质量是我们的产品准则  
海兰科技欢迎您的参观和加入！



## Transmitter 遥控器

Model: T61XX

Frequency 无线频率: 433.92MHz  
Channel 通道: 1 channel

Weight 重量: 45g



NO. T6108



NO. T6122



NO. T6106

Model: T62XX

Frequency 无线频率: 433.92MHz  
Channel 通道: 2 channels  
Weight 重量: 45g

Code 编码: Rolling code/Fixed code  
Battery 电源: 3V lithium battery CR2032  
Size: 65\*37.6\*14.5mm



NO. T6209



NO. T6223



NO. T6620



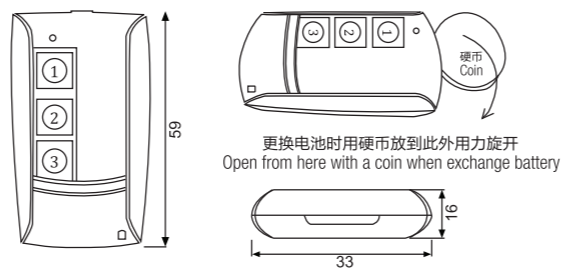
NO. T6205

Hiland

## Transmitter 遥控器

**Model: T5502**  
T5550Frequency 无线频率: 433.92MHz  
Channel 通道: 3 channelsCode 编码: Rolling code  
Battery 电源: 12V 23A  
3V CR 2032Weight 重量: 32g  
Size 尺寸: 59\*33\*16mm

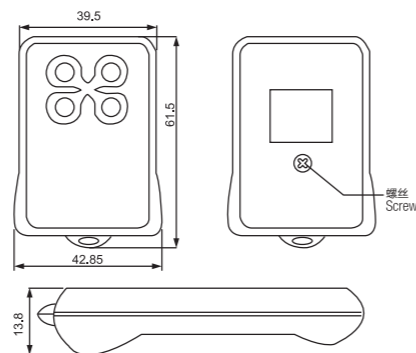
NO. T5502

**Model: T5005**Channel 通道: 3 channels  
Code 编码: Rolling code  
Frequency 无线频率: 433.92MHz  
Weight 重量: 35gCE  
RoHS**Model: T5802**Channel 通道: 3 channels  
Code 编码: Rolling code  
Frequency 无线频率: 433.92MHz  
Weight 重量: 28gCE  
RoHS

NO. T5005



NO. T5802

**Model: T5302**  
T5303Frequency 无线频率: 433.92MHz  
Channel 通道: 4 channelsCode 编码: Rolling code  
Battery 电源: 12V 23AWeight 重量: 31g  
Size 尺寸: 61.5\*42.85\*13.8mmCE  
RoHS

## Transmitter 遥控器

**Model: T34XX**Channel 通道: 4 channels  
Weight 重量: 45g  
Modulation mode 调制模式: ASK/FSKCE  
RoHS

NO. T3401

**Model: T35XX**Channel 通道: 4 channels  
Weight 重量: 18g  
Code 编码: Rolling code  
Modulation mode 调制模式: ASK/FSKCE  
RoHS

NO. T3501

**Model: T4XXX**Frequency 无线频率: 433.92MHz  
Channel 通道: 4 channels  
Code 编码: Rolling code/Fixed code  
Weight 重量: 31gCE  
RoHS

NO. T4301

**Model: T6405**Frequency 无线频率: 433.92MHz  
Channel 通道: 4 channels  
Weight 重量: 45gCE  
RoHS

NO. T6405

**Model: T6520**Frequency 无线频率: 433.92MHz  
Channel 通道: 4 channels  
Weight 重量: 45gCE  
RoHS

NO. T6520

**Model: T6407**  
T6409Frequency 无线频率: 433.92MHz  
Channel 通道: 4 channels  
Weight 重量: 45gCE  
RoHS

NO. T6407

NO. T6409



# Transmitter 遥控器

**Model: T7210/T7610/T7710**

Frequency 无线频率: 433.92MHz  
 Channel 通道: 2/6/24 channels  
 Power Supply 电源: 3V CR 2032

Weight 重量: 60g

Size 尺寸: 116.5\*42.7\*18mm(with holder)  
 115\*39\*13.7mm(without holder)  
 Modulation mode 调制模式: ASK/FSK



**T7210**  
2-channel remote control



**T7610**  
6-channel remote control



**T7710**  
24-channel remote control



组合键能改变电机运行方向和设置运行时间  
**Can change motor running direction**  
**Can set up motor running time**  
**Wall mounting**

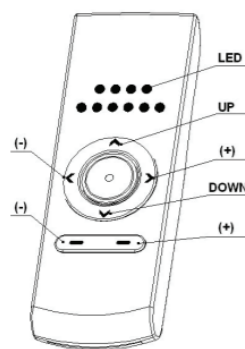


Fig.1

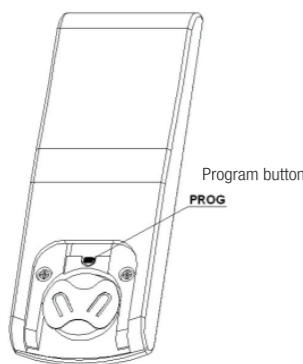


Fig.2

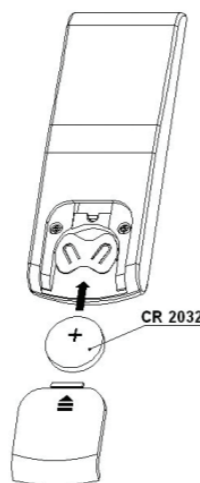


Fig.3



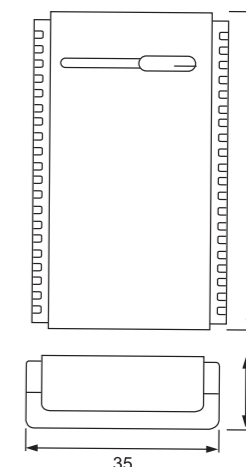
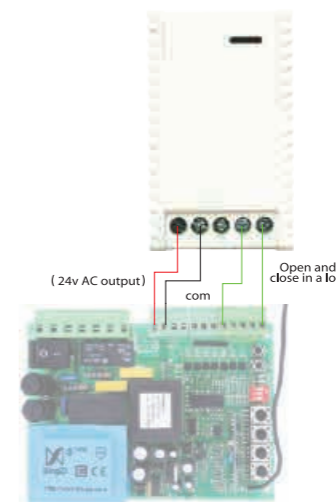
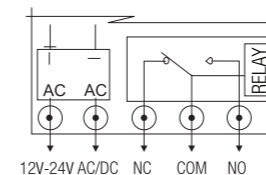
# Receiver 接收器

**Model: R5101-R5108**

**Self-learning**



1-channel



Model No. (型号)	R5101	R5102	R5103	R5104	R5105	R5106	R5107	R5108	R5166	R5167	R5170	R5171
Frequency (无线频率)	433.92MHz / 318MHz / 315MHz											
Code (编码)	Rolling code 滚码				Fixed code 固码				Open code 滚固码			
Latch (自锁)	Latch non-latch Switchable											
Power supply (电压)	12V-24V, AC/DC											
Weight (重量)	47g/pc											
Transmitters stored (可存储遥控器)	30	30	300	300	60	60	600	600	30	30	300	300

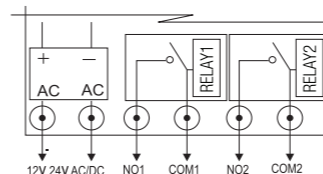
R5101, R5103, R5105, R5107: cable connection; (引线连接)  
 R5102, R5104, R5106, R5108: terminal block connection (端子连接)

# Model: R5111,R5113,R5114,R5115,R5117 Self-learning CE RoHS



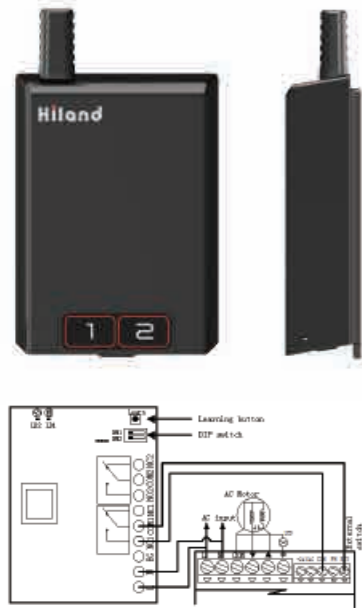
2-channel

Model No. (型号)	R5111	R5113	R5114	R5115	R5117	R5110	R5112
Frequency (无线频率)	433.92MHz / 318MHz / 315MHz						
Code (编码)	Rolling code 滚码			Fixed code 固码		Open code 滚固码	
Latch (自锁)	Latch non-latch Switchable						
Power supply (电压)	12V-24V, AC/DC						
Weight (重量)	47g/pc						
Transmitters stored (可存储遥控器)	30	300	500	60	600	30	300



## Receiver 双通道接收器

2-Channel Model: R5201-R5203 AC 85~265V Self-learning



Model No. (型号)	R5201	R5203
Frequency (无线频率)	433.92MHz / 318MHz / 315MHz	
Code (编码)	Rolling code 滚码	
Latch(自锁)	Latch non-latch Switchable	
Transmitters stored (可存储遥控器)	30	300
Connection style	Terminal Block conenction (端子连接)	
Weight (重量)	165g /pc	
Size (尺寸)	135*78*30 mm	

**Loading capacity:10A**  
It can drive lights

4-Channel Model: R5401-R5403 AC/DC 12~24V

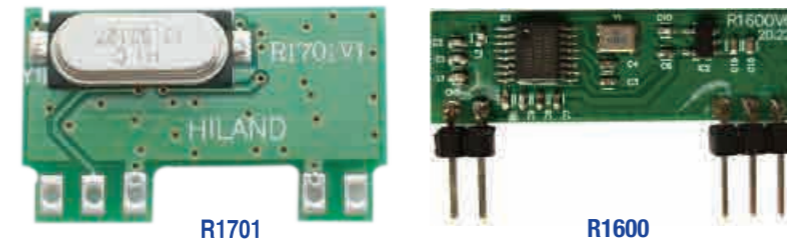


Model No. (型号)	R5401	R5403
Frequency (无线频率)	433.92MHz / 318MHz / 315MHz	
Code (编码)	Rolling code 滚码	
Latch(自锁)	Latch non-latch Switchable	
Transmitters stored (可存储遥控器)	30	300
Connection style	Terminal Block conenction (端子连接)	
Weight (重量)	165g /pc	
Size (尺寸)	135*78*30 mm	

**Relay Contact Loading:0.5HP/240V AC**  
It can drive lights

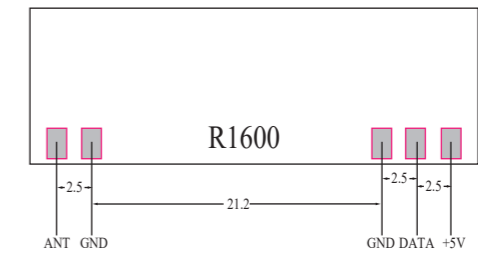
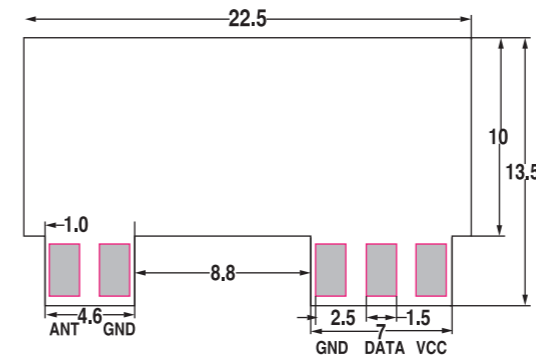
## Receiver module 接收模块

Model:R1701 R1600 Without decoder



Pin description :

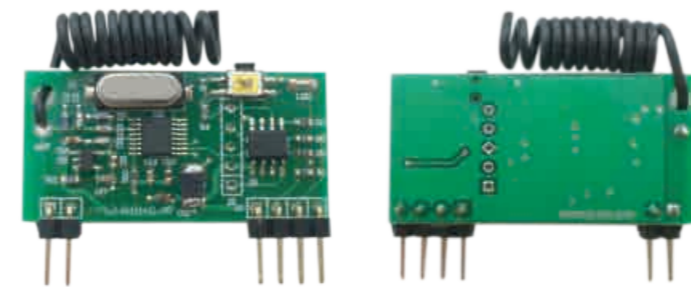
Pin name	Description
ANT	Antenna input
GND	Power group port
VCC /+5V	Power positive port
DATA	Output port of receiving data



Note: The applications of R1600 is easy, it can receive the transmitters signal after connecting the power positive port (+5V) and power group port (GND)

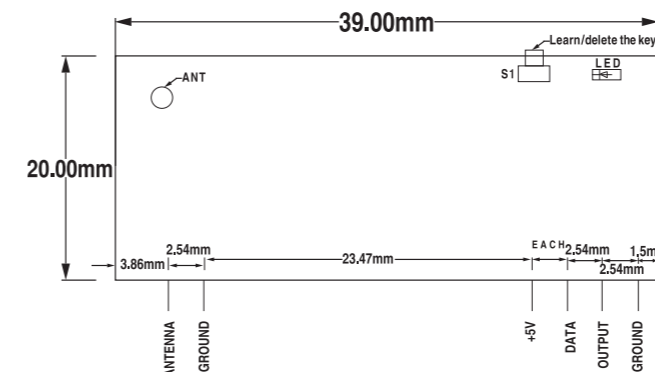
Model:R2700

Built-in decoder



Pin description :

Pin name	Description
ANT	Antenna input
GROUND	Power group port
+5V	Power positive port
DATA	Output port of receiving data
Learn/Delete Transmitters	Learning and deleting Transmitters
OUTPUT	Output



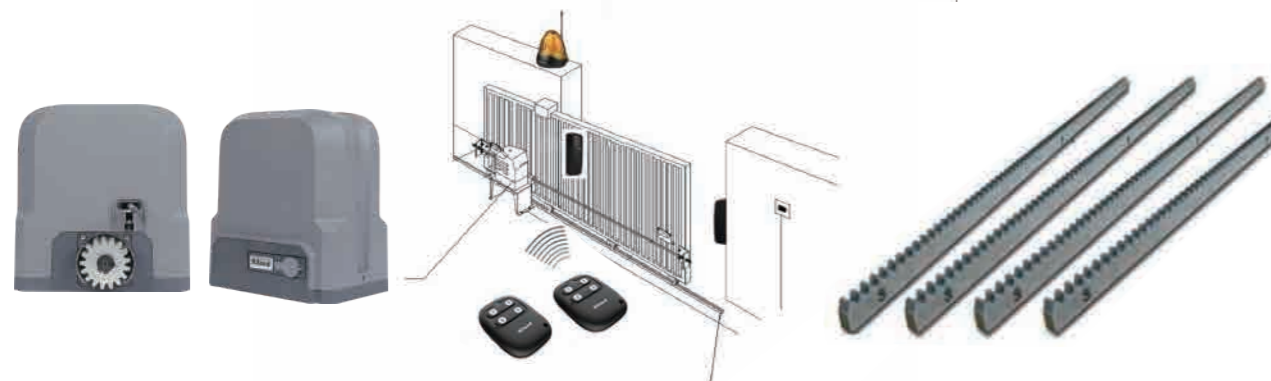
Code: Rolling code / Fixed code  
can store 30pcs / 60pcs transmitters

## Sliding Gate Opener 平移门开门机



### Technical Characteristics

Model	Working voltage	Motor working voltage	Limit switch	Power	Max gate weight	Output Torque	Gate moving speed
SLG51501	110V AC / 60Hz	24V DC	Magnetic limit	150W	500Kg	14Nm	11-13m/min
SLG51503	220V AC / 50Hz	24V DC	Magnetic limit	150W	500Kg	14Nm	11-13m/min
SLG51701	110V AC / 60Hz	24V DC	Magnetic limit	170W	800Kg	18Nm	16-18m/min
SLG51703	220V AC / 50Hz	24V DC	Magnetic limit	170W	800Kg	18Nm	16-18m/min
SLG52801	110V AC / 60Hz	110V AC	Magnetic limit	280W	600Kg	14Nm	13m/min
SLG52802	110V AC / 60Hz	110V AC	Spring limit	280W	600Kg	14Nm	13m/min
SLG52803	220V AC / 50Hz	220V AC	Magnetic limit	280W	600Kg	14Nm	13m/min
SLG52804	220V AC / 50Hz	220V AC	Spring limit	280W	600Kg	14Nm	13m/min
SLG54001	110V AC / 60Hz	110V AC	Magnetic limit	400W	1000Kg	22Nm	11-13m/min
SLG54002	110V AC / 60Hz	110V AC	Spring limit	400W	1000Kg	22Nm	11-13m/min
SLG54003	220V AC / 50Hz	220V AC	Magnetic limit	400W	1000Kg	22Nm	11-13m/min
SLG54004	220V AC / 50Hz	220V AC	Spring limit	400W	1000Kg	22Nm	11-13m/min
SLG55505	110V AC / 60Hz	110V AC	Magnetic limit	550W	1500Kg	32Nm	11-13m/min
SLG55506	110V AC / 60Hz	110V AC	Spring limit	550W	1500Kg	32Nm	11-13m/min
SLG55507	220V AC / 50Hz	220V AC	Magnetic limit	550W	1500Kg	32Nm	11-13m/min
SLG55508	220V AC / 50Hz	220V AC	Spring limit	550W	1500Kg	32Nm	11-13m/min
SLG57501	110V AC / 60Hz	110V AC	Magnetic limit	750W	2000Kg	42Nm	11-13m/min
SLG57502	110V AC / 60Hz	110V AC	Spring limit	750W	2000Kg	42Nm	11-13m/min
SLG57503	220V AC / 50Hz	220V AC	Magnetic limit	750W	2000Kg	42Nm	11-13m/min
SLG57504	220V AC / 50Hz	220V AC	Spring limit	750W	2000Kg	42Nm	11-13m/min

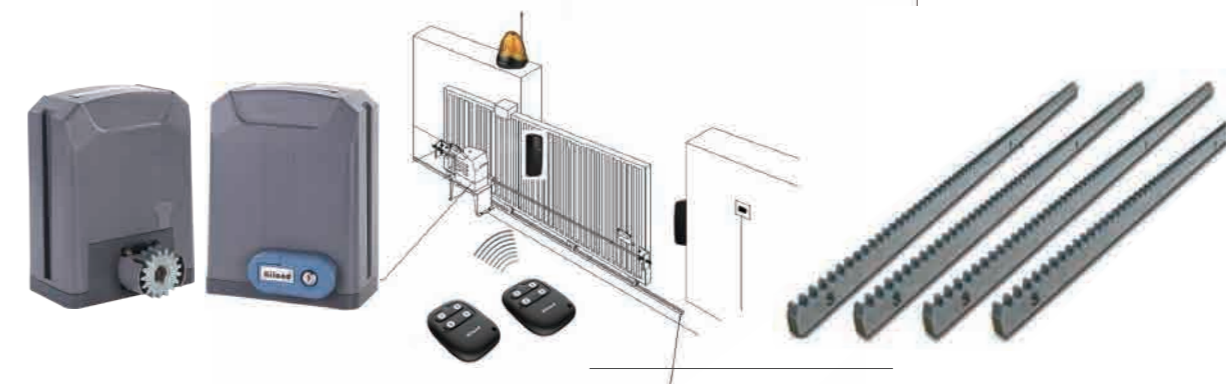


## Sliding Gate Opener 平移门开门机

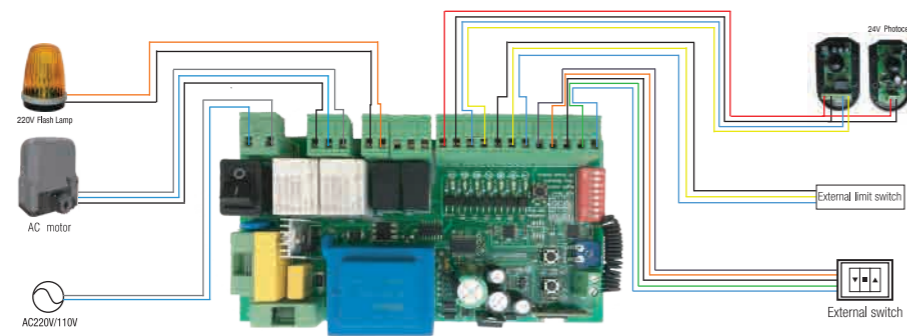
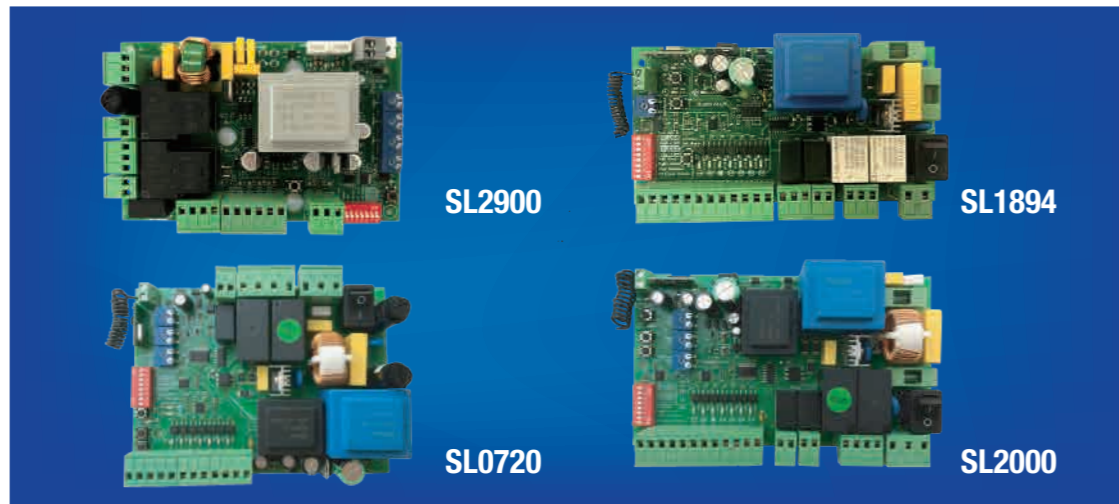


### Technical Characteristics

Model	Working voltage	Motor working voltage	Limit switch	Power	Max gate weight	Output Torque	Gate moving speed
SLG61501	110V AC / 60Hz	24V DC	Magnetic limit	150W	500Kg	14Nm	11-13m/min
SLG61503	220V AC / 50Hz	24V DC	Magnetic limit	150W	500Kg	14Nm	11-13m/min
SLG61701	110V AC / 60Hz	24V DC	Magnetic limit	170W	800Kg	18Nm	16-18m/min
SLG61703	220V AC / 50Hz	24V DC	Magnetic limit	170W	800Kg	18Nm	16-18m/min
SLG62801	110V AC / 60Hz	110V AC	Magnetic limit	280W	600Kg	14Nm	13m/min
SLG62802	110V AC / 60Hz	110V AC	Spring limit	280W	600Kg	14Nm	13m/min
SLG62803	220V AC / 50Hz	220V AC	Magnetic limit	280W	600Kg	14Nm	13m/min
SLG62804	220V AC / 50Hz	220V AC	Spring limit	280W	600Kg	14Nm	13m/min



## Sliding Gate Control Board 平移门控制板

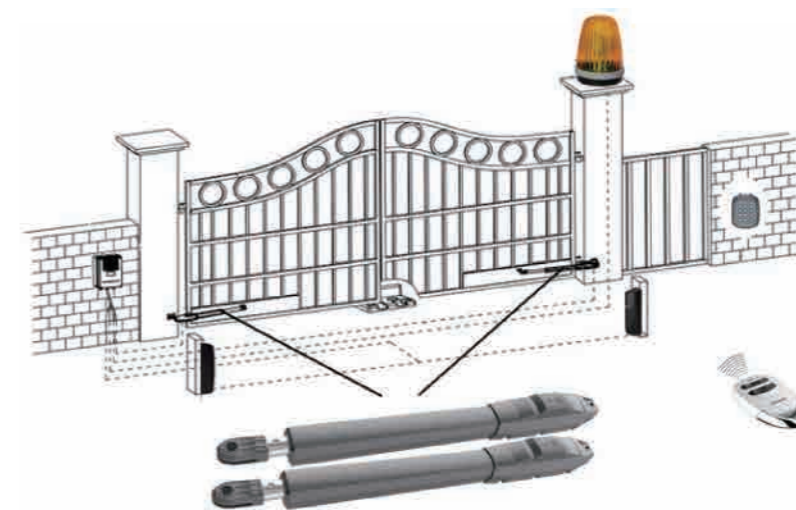


Model	SL1694	SL1894	SL0720	SL2000	SL2003	SL2900
Soft Start And Soft Stop	/	Yes	Yes	Yes	Yes	Yes
Running Time Adjustable	Yes	Yes	Yes	Yes	Yes	Yes
Code	Rolling Code					
Working Frequency	433.92MHz					
Transmitters Stored	30	300	30	30	200	30
Loading Capacity	1HP	1HP	2HP	2HP	2HP	2HP
Resistance Of Opening And Closing Door	/	/	Yes	Yes	Yes	Yes
Electric Lock	/	Yes	/	Yes	Yes	/
Auto Reverse When Meet Obstacle	/	/	Yes	Yes	Yes	Yes
Auto Close	Yes	Yes	Yes	Yes	Yes	Yes
Installation At Left Or Right Side	Yes	Yes	Yes	Yes	Yes	Yes
Self-learning Function	Yes	Yes	Yes	Yes	Yes	Yes
External Switch One Button & Three Button	Yes	Yes	Yes	Yes	Yes	Yes
Size	150*77*38	150*77*38	140*103*38	160*95*38	160*95*38	145*95*38
Running Time	10-130S	130S		5-100S		150S
Waiting Time For Close	5-100S	5S/10S/30S can choose				10S/20S/30S can choose
Stop Speed Adjustable	/	Yes	/	Yes	Yes	Yes
Deadman / Impulse	/	/	Yes	Yes	Yes	Yes
Output Power	AC 24V					DC 12V
Electric Brakes	/	/	/	/	/	Yes
Hall Switch	/	/	/	/	/	Yes
Pedestrian Mode	/	/	Yes	/	/	Yes

## Swing Gate Opener 平开门开门机 **New style**



Model	SWG2000/SWG2001	SWG3100/SWG3101	SWG4100/SWG4101
Power Supply	220V/50Hz/110V/60Hz	220V/50Hz/110V/60Hz	220V/50Hz/110V/60Hz
Motor Power	24V DC / 40W	24V DC / 50W	24V DC / 62W
Gate Moving Speed	18-22s/ 90°	18-22s/ 90°	22-26s / 90°
Single-leaf Weight	200kg	300kg	400kg
Single-leaf Length	2M	3M	4M
Force	2200N	2600N	3800N
Piston Stroke	32cm	32cm	45cm
Noise	≤58dB	≤58dB	≤60dB
Transmitters Stored	30pcs	30pcs	25pcs
Package Weight	10kg	14kg	20kg



## Garage Door Opener 车库门开门机



Model	GDO600	GDO800	GDO1000	GDO1200	GDO1500	GDO1800
Input	110V AC / 220V AC±10% 50~60Hz					
Motor Power	24V DC / 140W	24V DC / 160W	24V DC / 180W	24V DC / 200W	24V DC / 250W	24V DC / 300W
Speed	13-15cm/s					
Frequency	433.92MHz					
Code	Rolling code					
Battery	3V CR2032					
Light	24V 5W					
Light Time	3 minutes					
Working Temperature	-20-50℃					
Working Humidity	≤90%					
Lifting	600N	800N	1000N	1200N	1500N	1800N
Max Door Size And Weight	8~10m <sup>2</sup> 80~100kg	10~12m <sup>2</sup> 100~120kg	12~14m <sup>2</sup> 120~140kg	14~16m <sup>2</sup> 140~160kg	16~18m <sup>2</sup> 160~180kg	18~20m <sup>2</sup> 180~200kg

## Industrial Door Opener 工业门开门机 New style

Model: IDO4000, IDO4005, IDO6000

Self-learning **CE** **RoHS**

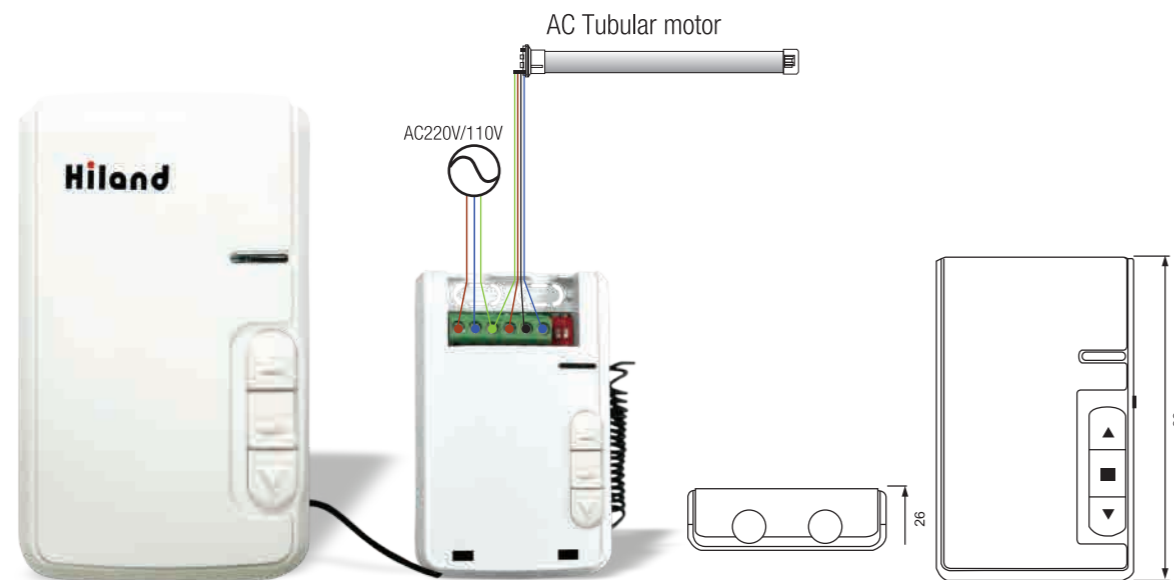


Model	IDO4000	IDO4005	IDO6000
Rated Power	400W	400W	600W
Motor Power	220V AC	220V AC	220V DC brushless
Limit Switch	Magnetic limit	Electronic limit	Hall limit
Starting Torque	60N.M	60N.M	≥70N.M
Environment Temperature	-20℃ ~ +45℃	-20℃ ~ +45℃	-20℃ ~ +45℃
Display	/	Digital Tube	Screen display
Main Engine Weight	13kg	14kg	12kg
Soft Start Soft Stop	/	/	yes
Door Opening And Closing Speed	/	/	10%-100% can adjust
Door Opening And Closing Deceleration Distance	/	/	15-100 can adjust
Auto-close Delay Time	4S/14S can choose	0-120S can adjust	0-120S can adjust
Transmitters Stored	25	25	25
Transmitters Distance	50m	50m	20-30m
Transmitters Mode Selection	One button	One button/Three button	One button/Three button
External Three Keys	Yes	NO/NC	Yes
External Single Key Cycle	/	NO/NC	Yes
Emergency Stop Switch	Yes	Yes	Yes
No-load Rotation Speed	24r/min	24r/min	10-50r/min adjustable
Output Shaft Aperture	Φ25.4mm	Φ25.4mm	Φ25.4mm
Max. Loading Door Area	25m <sup>2</sup>	25m <sup>2</sup>	30m <sup>2</sup>
Max. Loading Door Weight	250kg	250kg	300kg

## Tubular Motor Receiver 管状电机控制器

Model: TM5030

Self-learning RoHS



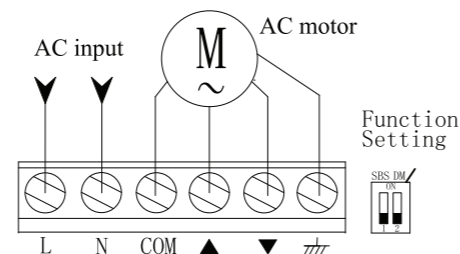
Model No.(220V)型号	TM5030
Frequency (无线频率)	433.92MHz
Code (编码)	Rolling code 滚码
Transmitters stored (可存储遥控器)	30
Weight (重量)	146g/pc
Size (尺寸)	93*57.5*26mm
Suitable motor (适用电机220V)	35mm,45mm,55mm,59mm

### Each style has 4 functions for choice:

- 1 DM ON: DeadMan running (点动)
- 2 DM OFF: Continuously running (连动)
- 3 SBS ON: Each unit can be controlled by one transmitter button (up-stop-down-stop-up-in a loop) 遥控器单键控制
- 4 SBS OFF: Each unit can be operated with three transmitter buttons; Each button is with the different function up or stop or down; 遥控器上三个按键控制

Suggested Motor Load(max): 370W(1/2HP)

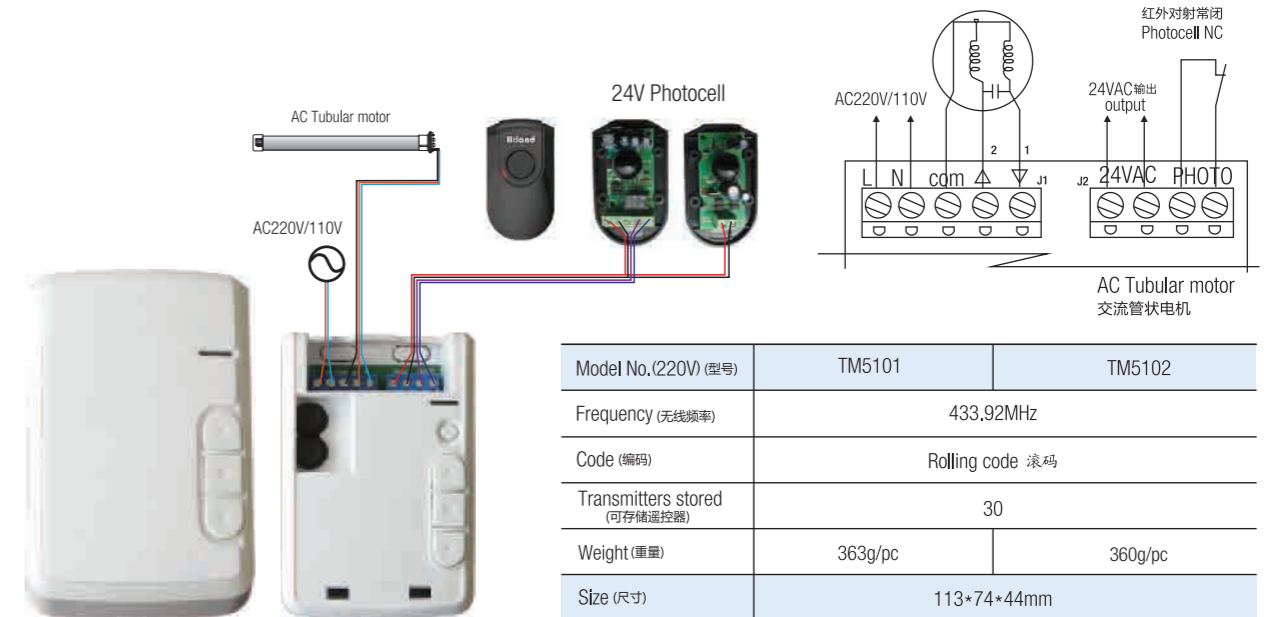
Connection with Photocell not available  
Transmitter self-memorized function available



## Tubular Motor Receiver 管状电机控制器

Model: TM5101-TM5102

Self-learning RoHS



Difference of operation: (遥控器上按键的操作方法)

**TM5101 TM5103 TM5121 TM5123**

Operate with three transmitter buttons: (三键控制)

Each button is with the different function: up or stop or down;  
(每个按键只有一个功能, 上、停、下)

**TM5102 TM5122**

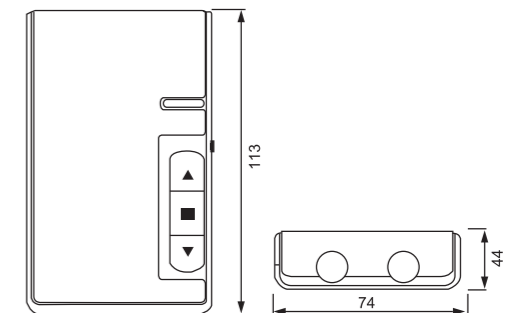
Operate with one transmitter button: (单键控制)

press-up-press-stop-press-down-press-stop-press-up and so on in a loop.  
(每个按键有三个功能, 上、停、下, 循环操作)

**Suggested Motor load (max): 1470W(2HP);  
can connect with photocell.**

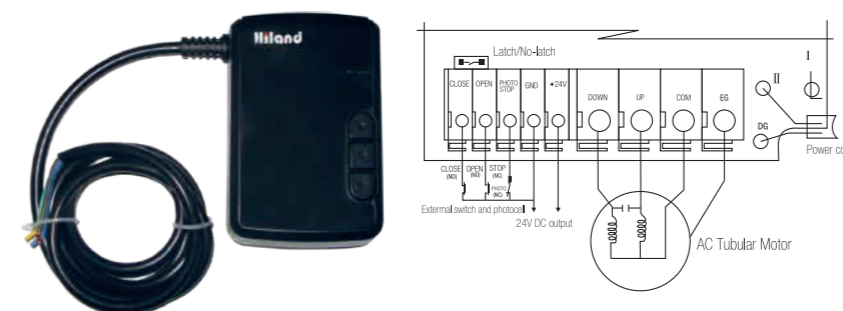
**Transmitter self-Memorized function is available.**

(建议电机功率: 1470W (最大); 可接红外对射)  
(有遥控器自学习功能)



Model: TM515X

Self-learning RoHS

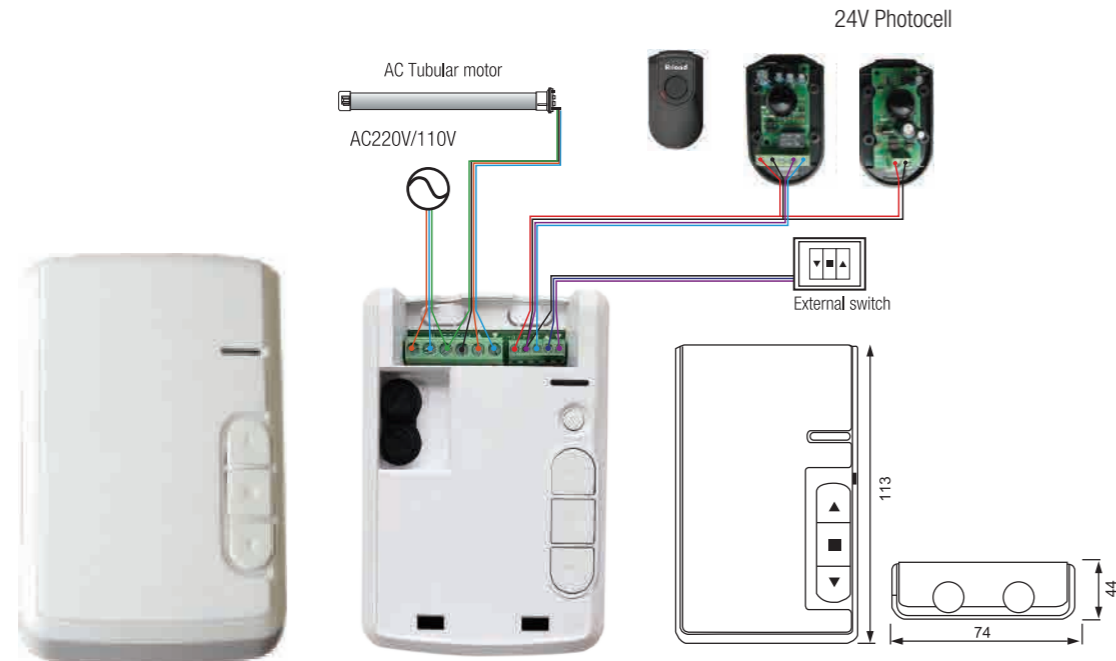


Model No.(220V) (型号)	TM5151
Frequency (无线频率)	433.92MHz
Code (编码)	Rolling code 滚码
Transmitters stored (可存储遥控器)	30
Weight (重量)	363g/pc
Size (尺寸)	113*74*44mm

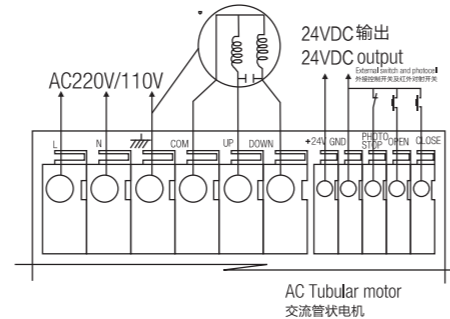
## Tubular Motor Receiver 管状电机控制器

Model: TM5111-TM5112

Self-learning  



Model No.(220V) (型号)	TM5111	TM5112
Frequency (无线频率)	433.92MHz	
Code (编码)	Rolling code 滚码	
Transmitters stored(可存储遥控器)	30	30
Weight (重量)	363g/pc	
Size(尺寸)	113*74*44mm	



Difference of operation: (遥控器上按键的操作方法)

### TM5111 TM5113 TM5131 TM5133

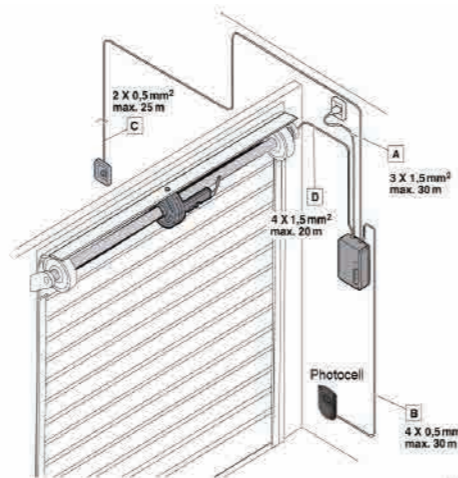
Operate with three transmitter buttons: (三键控制)  
Each button is with the different function: up or stop or down;  
(每个按键只有一个功能, 上、停、下)

### TM5112 TM5114 TM5132 TM5134

Operate with one transmitter button: (单键控制)  
press-up-press-stop-press-down-press-stop-press-up and so on in a loop.  
(每个按键有三个功能, 上、停、下, 循环操作)

**Suggested Motor load (Max): 1470W(2HP); can connect with photocell and external switch.**

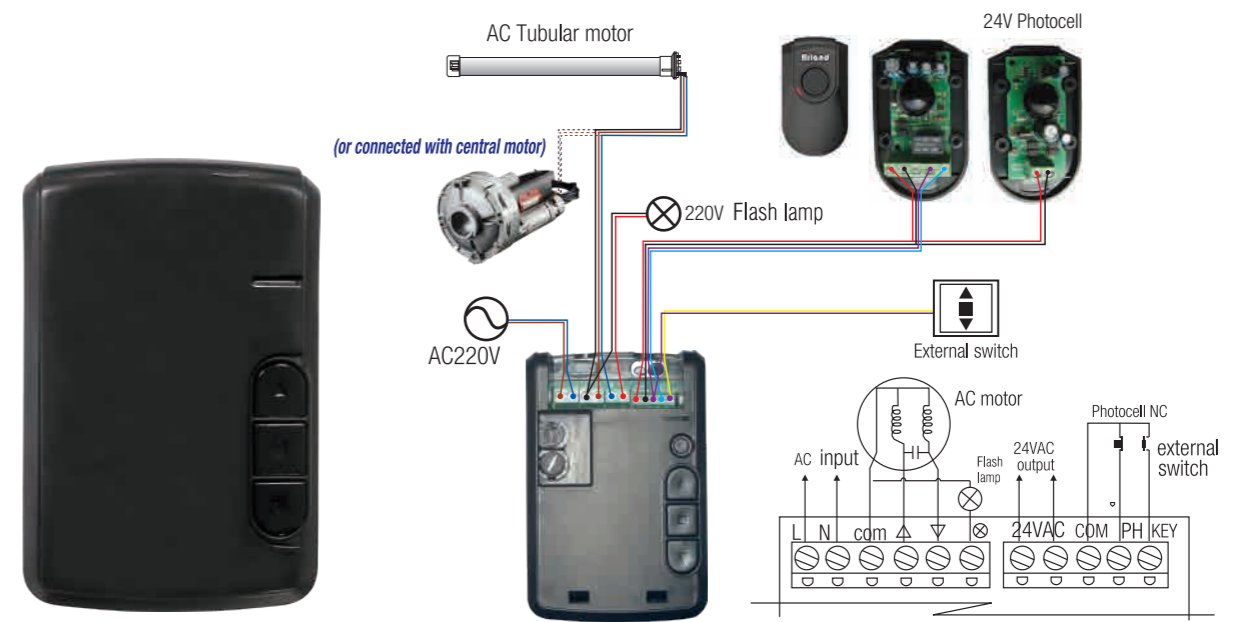
(建议电机功率: 1470W (最大); 可接红外对射和外接开关)  
(有遥控器自学习功能)



## Tubular Motor Receiver 管状电机控制器

Model: TM516X

Self-learning  



Model No.(220V) (型号)	TM5161	TM5162	TM5163	TM5164
Code (编码)	Rolling code 滚码			
Transmitters stored (可存储遥控器)	30	30	300	300
Suitable motor (适用电机220V)	35mm,45mm,55mm,59mm,64mm,92mm,115mm			
Frequency (无线频率)	433.92MHz			
Weight (重量)	480g/pc			
Size (尺寸)	113*74*44mm			

Difference of operation: (遥控器上按键的操作方法)

### TM5161 TM5163

Operate with three transmitter buttons: (三键控制)  
Each button is with the different function: up or stop or down;  
(每个按键只有一个功能, 上、停、下)

### TM5162 TM5164

Operate with one transmitter button: (单键控制)  
press-up-press-stop-press-down-press-stop-press-up and so on in a loop.  
(每个按键有三个功能, 上、停、下, 循环操作)

**Suggested Motor load (Max): 1470W(2HP); can connect with photocell and external switch.**

(建议电机功率: 1470W (最大); 可接红外对射和外接开关)  
(有遥控器自学习功能)

## Built-in Tubular Motor Receiver 内置管状电机控制器

Model: TM5301 Self-learning

CE RoHS



Model No. (IN BLACK COLOR)	TM5301
	TM5399 (Middle position function)
Frequency (无线频率)	433.92MHz / 318MHz / 315MHz
Code (编码)	Rolling code 滚码
Working voltage (工作电压)	85-265V AC
Transmitters stored (可存储遥控器)	30
Weight (重量)	83 g/pcs
Size (尺寸)	25*27.5*150 mm
Suitable motor (适用电机220V)	35mm,45mm,55mm,59mm

### Specification

Loading capacity(220V AC): 0.5HP(375Watts)  
Loading capacity(110V AC): 0.25HP(185Watts)

3 button control

Model: TM5401-TM5408/TM5411-TM5418 Self-learning CE RoHS

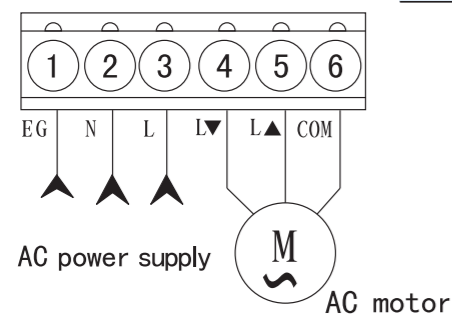


Model No. (产品型号)	TM5401	TM5411	TM5402	TM5412	TM5405	TM5415	TM5406	TM5416
Shell Color (外壳颜色)	白色	黑色	白色	黑色	白色	黑色	白色	黑色
Frequency (无线频率)	433.92MHz							
Code (编码)	Rolling code 滚码	Rolling code 滚码	Rolling code 滚码	Rolling code 滚码	Rolling code 滚码	Rolling code 滚码	Rolling code 滚码	Rolling code 滚码
Working voltage (工作电压)	220V AC				110V AC			
Transmitters stored (可存储遥控器)	30	300	30	300	30	300	30	300
Weight (重量)	156 g/pcs							
Size (尺寸)	30*35*130 mm							
Suitable motor (适用电机220V)	35mm,45mm,55mm,59mm,64mm,92mm							

### Specification

Loading capacity(110V AC): 0.5HP(375Watts)  
Loading capacity(220V AC): 1HP(735Watts)

3 button control



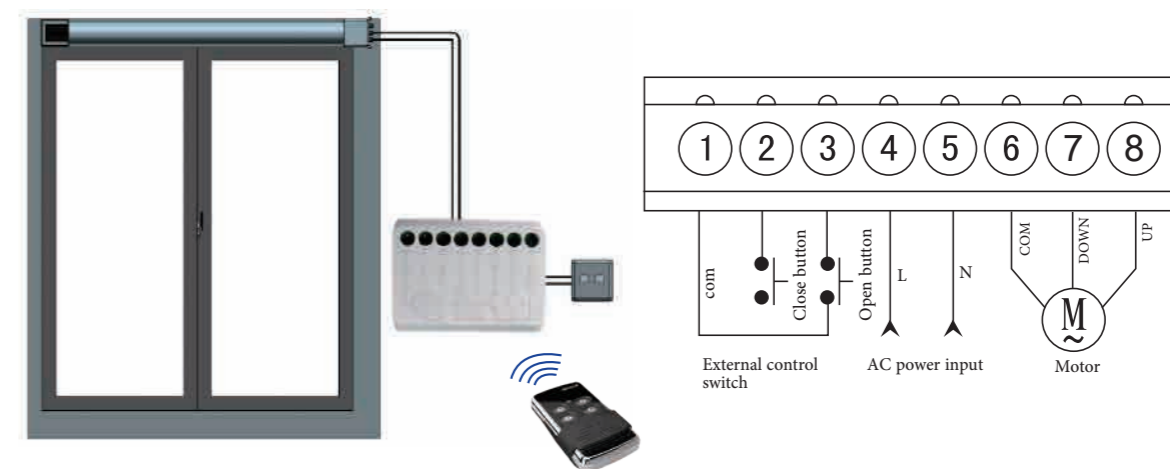
## Tubular Motor Receiver 管状电机控制器

Model: TM7000  
WALL SWITCH BUILT-IN MINI TYPE

Self-learning CE RoHS



Working voltage: 85 ~ 265V AC  
Transmitters stored: 30  
Code: Rolling code/Fixed code  
Working frequency: 433.92Mhz / 318MHz / 315MHz  
Weight: 51g/pc  
Loading capacity: 1.67A, 250V

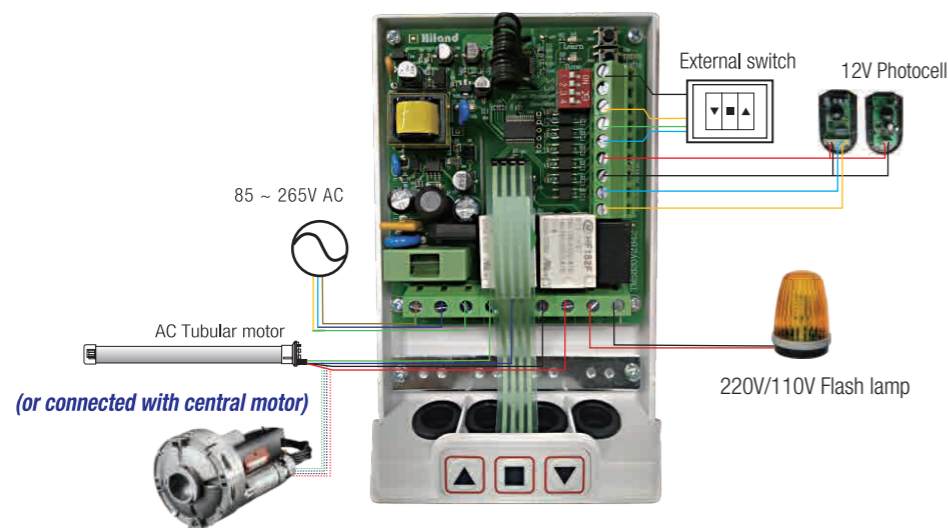


## Tubular Motor Receiver 管状电机控制器

Model: TM58XX



DESCRIPTION	TM58XX
Loading capacity	1HP
Single button Circular control & 3 button control	yes
Motor running direction can be adjusted	yes
Working time can be adjusted	yes
Photocell can be connected	yes
External switch can be connected	yes
Flash lamp can be connected	yes
Weight (重量) g	300
Size(尺寸)mm	150*100*40
Suitable motor (适用电机 220V)	35mm,45mm,55mm 59mm,64mm,92mm
Output	12V DC
Working voltage	85-265V AC

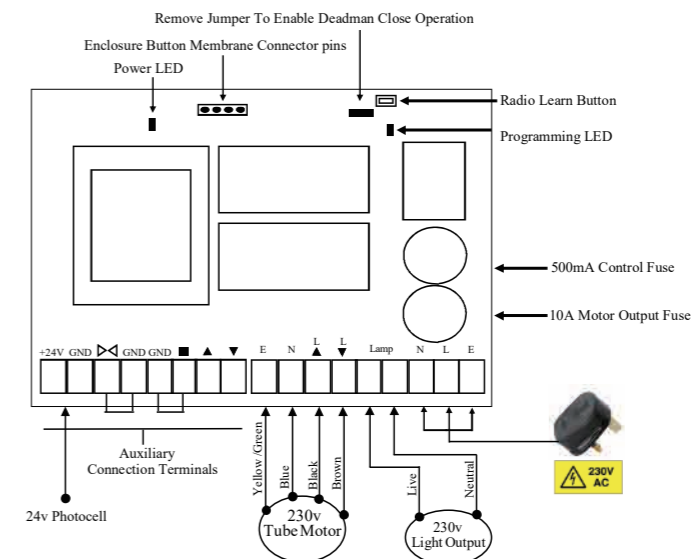


## Tubular Motor Receiver 管状电机控制器

Model: TM4000



DESCRIPTION	TM4000
Loading capacity	2HP
Single button Circular control & 3 button control	3 buttons
Motor running direction can be adjusted	/
Working time can be adjusted	/
Photocell can be connected	yes
External switch can be connected	yes
Flash lamp can be connected	yes
Weight (重量) g	700
Size(尺寸)mm	220*170*70
Suitable motor (适用电机 220V)	35mm,45mm,59mm 64mm,92mm,115mm
Output	24V DC
Working voltage	230V AC



**Group Tubular Motor Controller** 管状电机群控器

**Model: TM2400**

220V AC / 1HP / Connects 4 motors  
IP64 / Can connect photocell / Group control, individual control

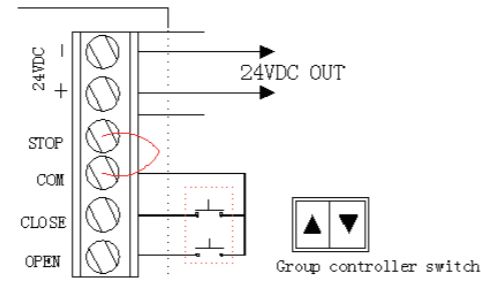
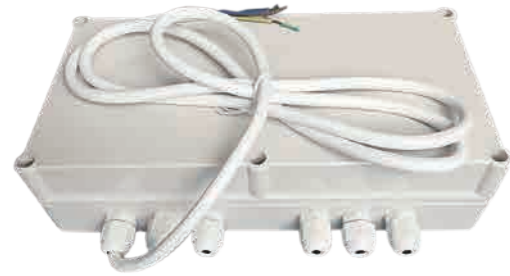


Figure 2

**Model: TM2800**

220V AC / 1HP / Connects 8 motors  
IP64 / Can connect photocell / Group control, individual control

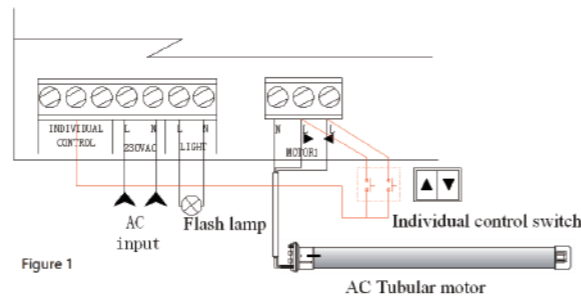
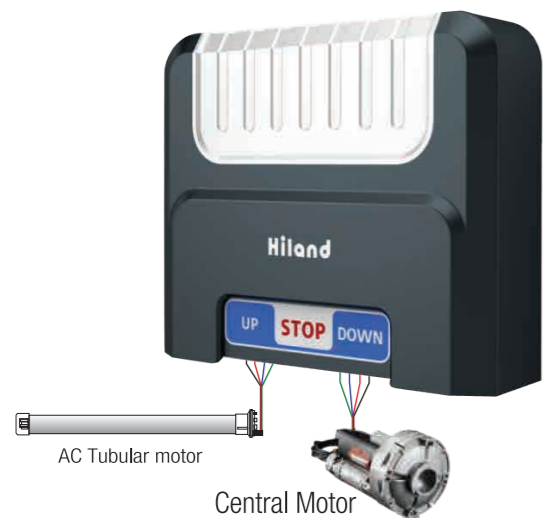


Figure 1

**Model: TM62XX**

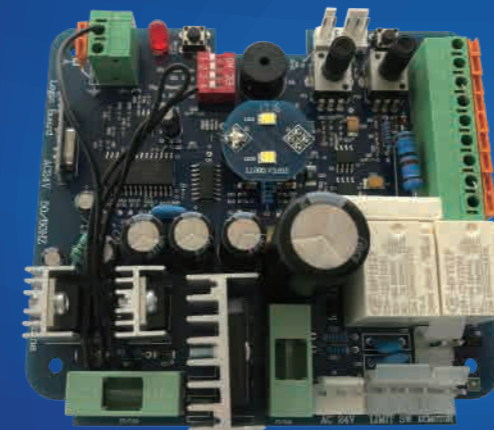
230V/110V / 2HP / Connects 2 motors  
Self-inspection before motor starts  
ASK/FSK



Transmitters stored:30  
433.92MHz  
Rolling code

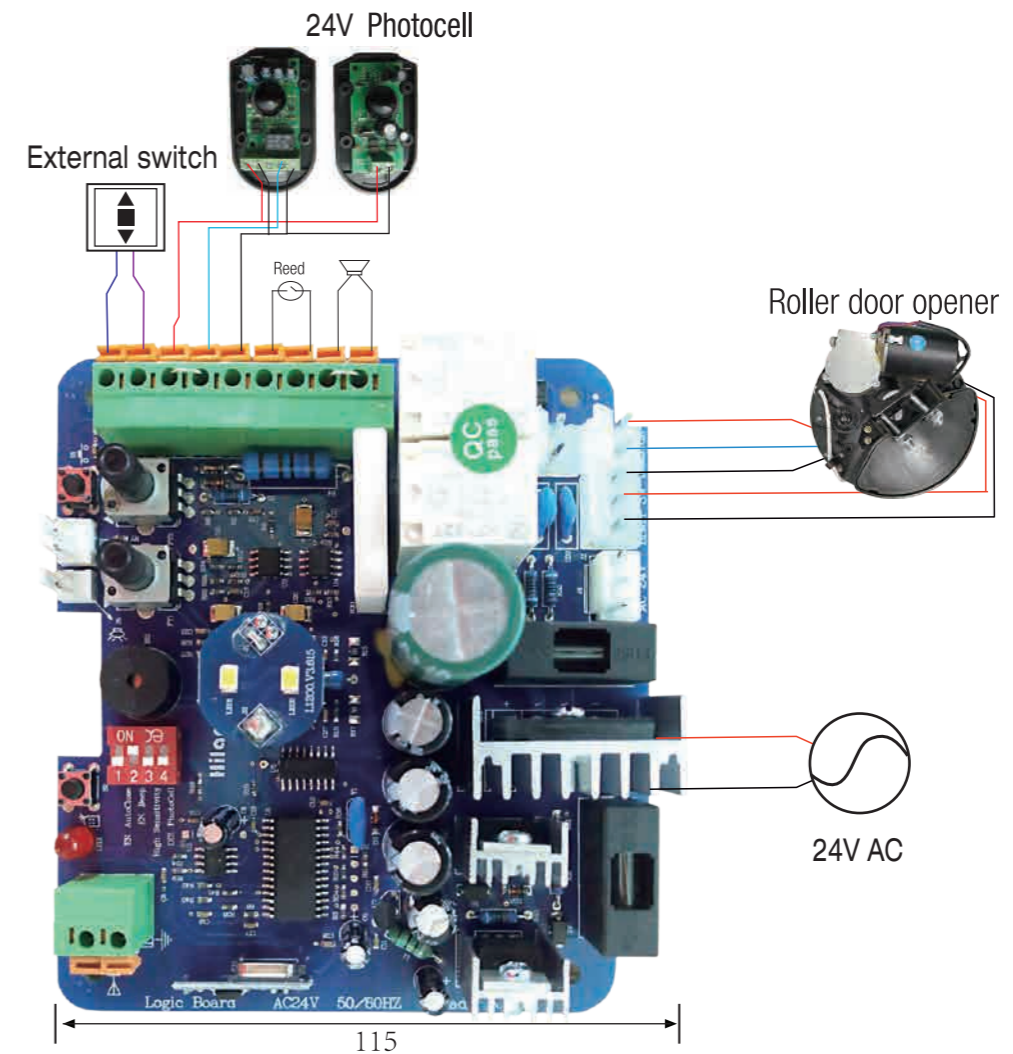
**Rolling Shutter Control Board** 卷门控制板 **New style** Self-learning

**Model: RS0103**



**Technical Characteristics**

- Working voltage(工作电压): 24V AC
- Voltage output(输出电压): 24V DC
- Temperature range(工作温度): -20°C to 60°C
- Loading capacity(负载): 100W, 24V DC
- Built-in fuse(保险丝): 10A/250V, please exchange appropriate fuse according to loading capacity
- Working frequency (工作频率) :433.92MHz / 318MHz / 315MHz
- Transmitters stored(可存储遥控器): 30pcs
- Weight(重量):156g/pc
- Size(尺寸): 115\*105\*30mm



## Photocell 红外对射

Item	Rotation system	Working voltage	Size	Weight	Battery Life
P5111	YES	12-24V AC/DC or 2*1.5V AA alkaline Battery	127*50*35mm	210g/pair	normal
P5113	YES	12-24V AC/DC or 2*1.5V AA Lithium iron Battery	127*50*35mm	210g/pair	much longer
P5112	NO	2*1.5V AA size battery or 12-24V AC/DC	127*50*35mm	245g/pair	much longer
P5102	YES	12-24V AC/DC	127*50*28mm	178g/pair	—
P5103	NO	12-24V AC/DC	127*50*28mm	174g/pair	—
P5001	NO	12-24V AC/DC	73*43*25mm	100g/pair	—
P5200	YES	12-24V AC/DC	100*40*35mm	139g/pair	—
PF5102	YES	12-24V AC/DC	127*50*35mm	194g/pair	—
PF5103	NO	12-24V AC/DC	127*50*35mm	194g/pair	—

### Model: P5111

Power Supply: 12-24V AC/DC or 2\*1.5V AA Size Battery  
Wavelength: 940 nm  
Range: 12M

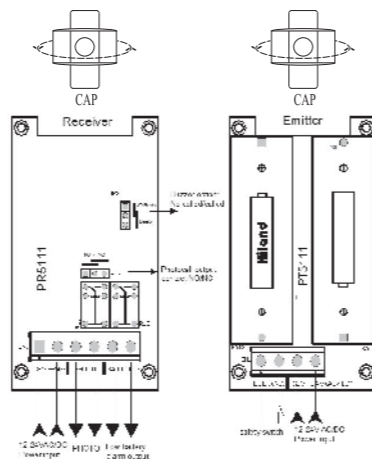
Angle of opposite emission:  $\pm 5^\circ$   
Size: 127\*50\*35mm

CE  
RoHS

Angel of Rotation 0-180°



Normal battery life



### Model: P5113

Power Supply: 12-24V AC/DC or 2\*1.5V AA Lithium Iron Battery  
Wavelength: 940 nm  
Range: 12M

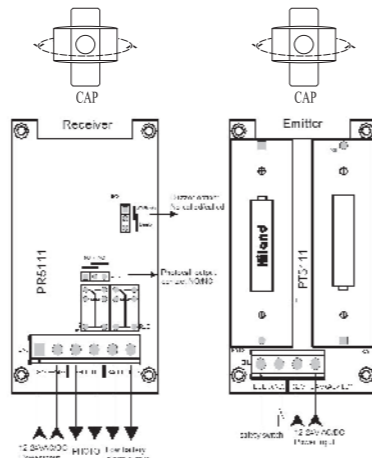
Angle of opposite emission:  $\pm 5^\circ$   
Size: 127\*50\*35mm

CE  
RoHS

Angel of Rotation 0-180°



Longer battery life



## Photocell 红外对射

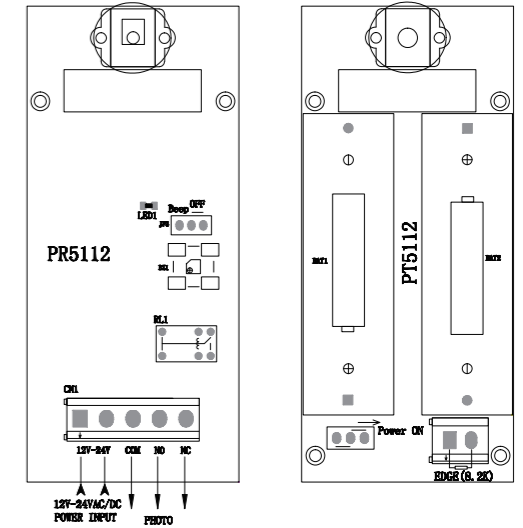
### Model: P5112

Power Supply: 12~24VAC/DC and 2\*1.5V AA Size Battery  
Wavelength: 940 nm  
Range: 12M

Angle of opposite emission:  $\pm 5^\circ$   
Size: 127\*50\*35mm

CE  
RoHS

Longest battery life



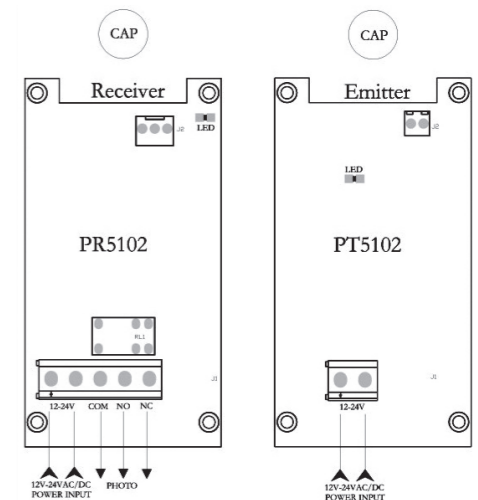
### Model: P5102 P5103

Power supply: 12V-24V AC/DC  
Wavelength: 940nm  
Priority: with internal rotation system  
Range: 12M

Angle of Rotation: 0~180°  
Angle of opposite emission:  $\pm 5^\circ$   
Size: 127\*50\*28mm

CE  
RoHS

P5102 Adjustable Lens (180°)  
P5103 not adjustable



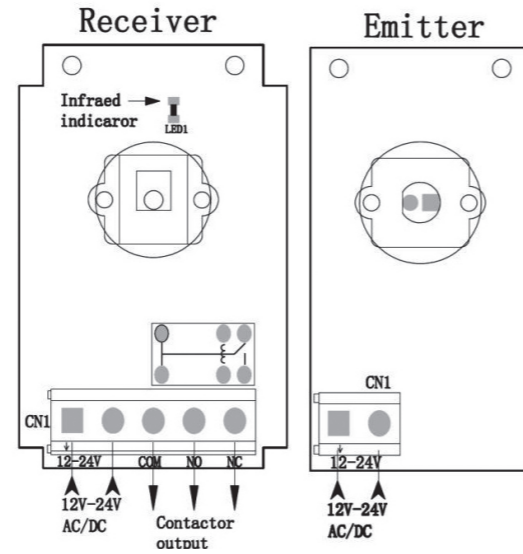
## Photocell 红外对射

**Model: P5001**

Working voltage: 12-24V AC/DC  
 Temperature range: -20°C to +60°C  
 Working current (@24V DC): emitter: ≤15mA, receiver: ≤30mA  
 Relay contact loading capacity: 1A/30V DC  
 Range : 12M

Photocell wavelength: 940nm  
 Angle of opposite emission: ≤±5°  
 Receive range: ≥12m  
 Size: 73\*43\*25mm

CE  
RoHS

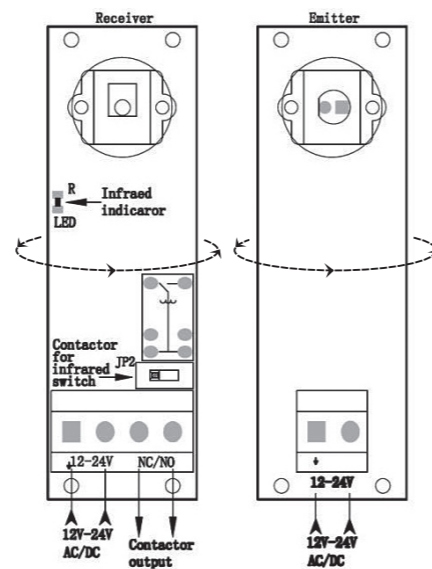


**Model: P5200**

Working voltage: 12-24V AC/DC  
 Temperature range: -20°C to 60°C  
 Working current (@24V DC): emitter: ≤15mA, receiver: ≤30mA  
 Relay contact loading capacity: 1A/30V DC  
 Rotation Angle: 0~180°

Range : 12M  
 Photocell wavelength: 940nm  
 Angle of opposite emission: ≤±5°  
 Receive range: ≥12m

CE  
RoHS



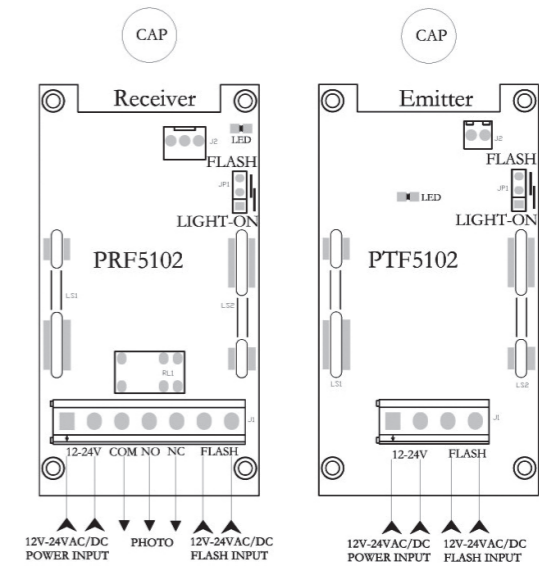
## PHOTOCELL & FLASHER INTEGRATED MODEL: 红外线闪灯集成体

**Model: PF5102**

Power supply: 12V-24V AC/DC  
 Wavelength: 940nm  
 Range : 12M

Angle of opposite emission: ±5°  
 Size: 127\*50\*35mm

CE  
RoHS



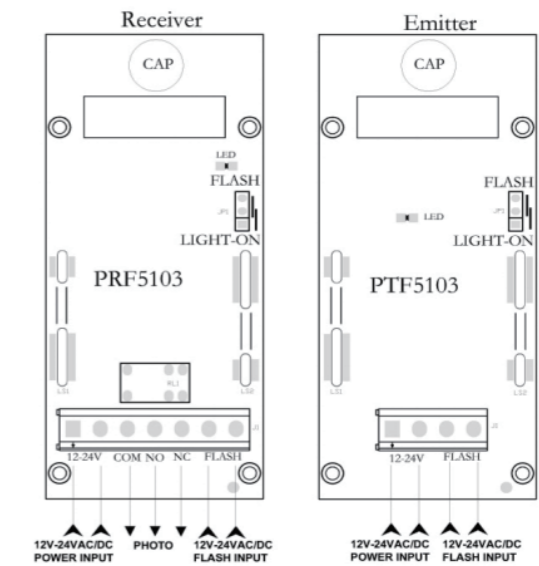
**PF5102** Angle of Rotation : 0~180°  
 Priority: with internal rotation system  
 photocell+flasher (sensor can rotate)

**Model: PF5103**

Power supply: 12V-24V AC/DC  
 Wavelength: 940nm  
 Range : 12M

Angle of opposite emission: ±5°  
 Size: 127\*50\*35mm

CE  
RoHS



**PF5103** photocell+flasher (sensor fixed)  
 range: ≥12m

## Flash lamp 闪灯

### Difference

Item	Lamp	IP	Flicker frequency	Working voltage (工作电压)
F5000	LED	54	1Hz	12-24V AC/DC or 85-265V AC
F5010	LED	54	1Hz	12-24V AC/DC
F5015	LED	54	4Hz	12-24V AC/DC or 85-265V AC
F5020	LED	54	1Hz	85-265V AC
F6000	LED	54	1Hz	12-240V AC/DC
F7000	LED	54	1Hz	12-24V AC/DC or 85-265V AC
F5001	Bulb	54	1Hz	24V AC/DC
F5002	Bulb	54	1Hz	230V AC
F5066	Bulb	54	1Hz	110V AC

#### Model: F5000 / F5010 / F5020

##### Technical Characteristics

Temperature range: -20°C to 60°C  
 Flicker frequency: 1Hz  
 Loading capacity: <5W  
 Size: Φ 90\*125MM  
 N.W: 260 g/pc



CE  
RoHS

#### Model: F5015

##### Technical Characteristics

Temperature range: -20°C to 60°C  
 Flicker frequency: 4Hz  
 Loading capacity: <5W  
 Size: Φ 90\*125MM  
 N.W: 260 g/pc



CE  
RoHS

#### Model: F6000

##### Technical Characteristics

Working voltage: 12V-240V AC/DC  
 Temperature range: -20°C to 60°C  
 Flicker frequency: 1Hz  
 Loading capacity: <3W  
 cute, very small, impact size, specially suitable for garage door, LED lamp



CE  
RoHS

#### Model: F7000 New style

##### Technical Characteristics

Temperature range: -20°C to 60°C  
 Flicker frequency: 1Hz  
 Loading capacity: <5W  
 Size: Φ 90\*130MM  
 N.W: 260 g/pc



CE  
RoHS

#### Model: F5002 / F5001 / F5066

##### Technical Characteristics

Lamp: Bulb style  
 Temperature range: -20°C to 60°C  
 Flicker frequency: 1Hz  
 Loading capacity: 15W  
 Size: Φ 90\*125MM  
 N.W: 210 g/pc



CE  
RoHS

## Transmitter(Wireless keypad) 无线密码键盘

Model: K5000 K5001 K5010  
K5003 K5004 K5011

Technical Specification  
 Frequency(无线频率):  
 433.92MHz / 318MHz / 315MHz  
 Code(编码): Rolling code  
 Channel(通道): 2-channel

Power supply: 3V  
 Material Case: Metal  
 Key: Available  
 Weight: 290g/pc

FC CE



Password digits: 4 or 6 digits